

Cybex 525C E3 UPRIGHT BIKE (J1001 to K0222)

525C-E3-02

Parts Manual

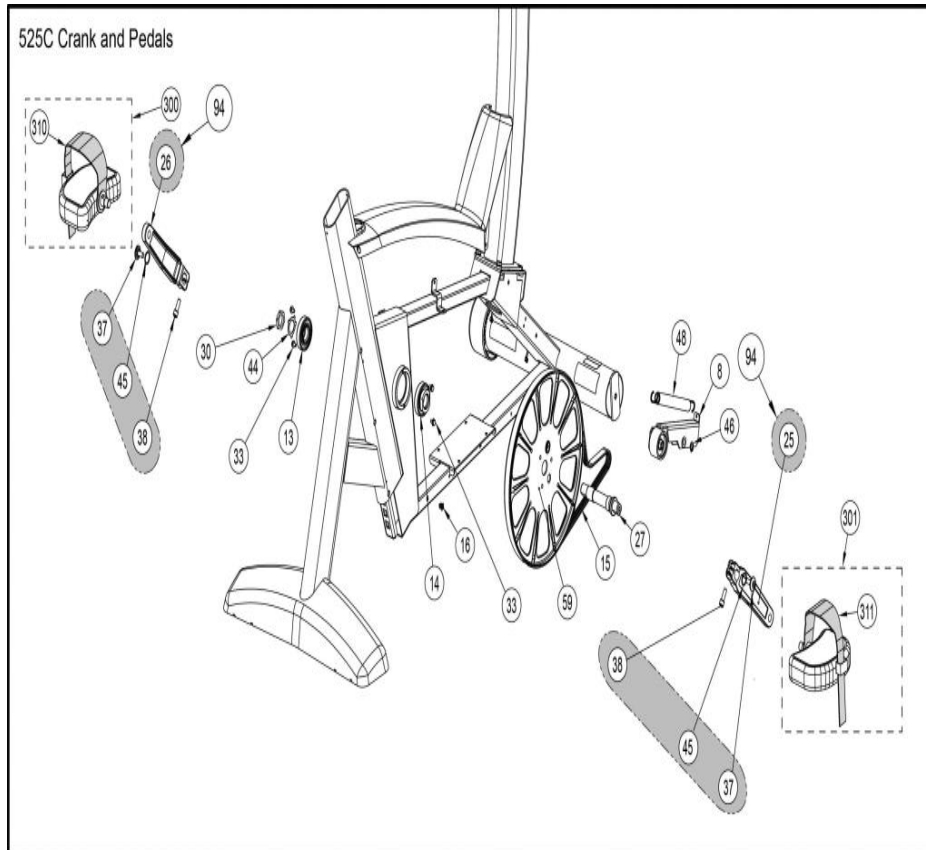
2/5/2024 19:00:11 PM



Table of Contents

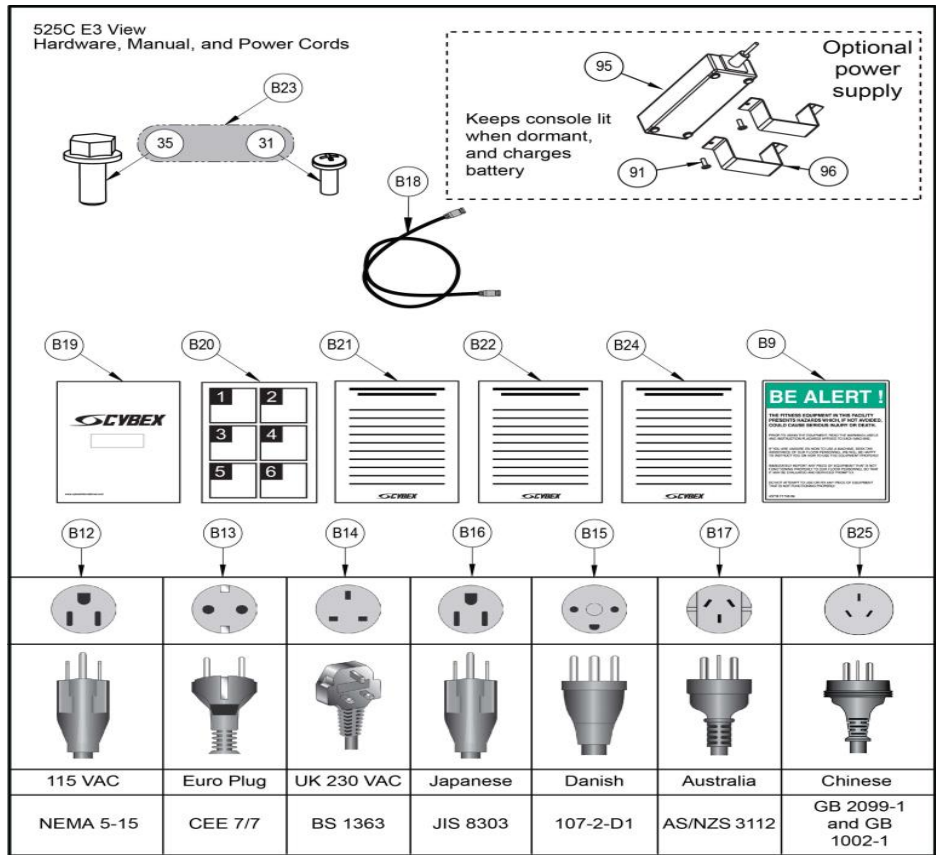
525C Crank and pedals.....	3
525C E3 View hardware manual and power cords.....	4
525C E3 View Console.....	5
525C E3 View Console iPod Option.....	7
525C E3 View Console Cables.....	8
525C E3 View Covers and lower electronics Before K0222.....	9
525C Frame seat handlebars.....	11
525 Asset Management Kit After J10.....	13

525C_Crank_and_pedals



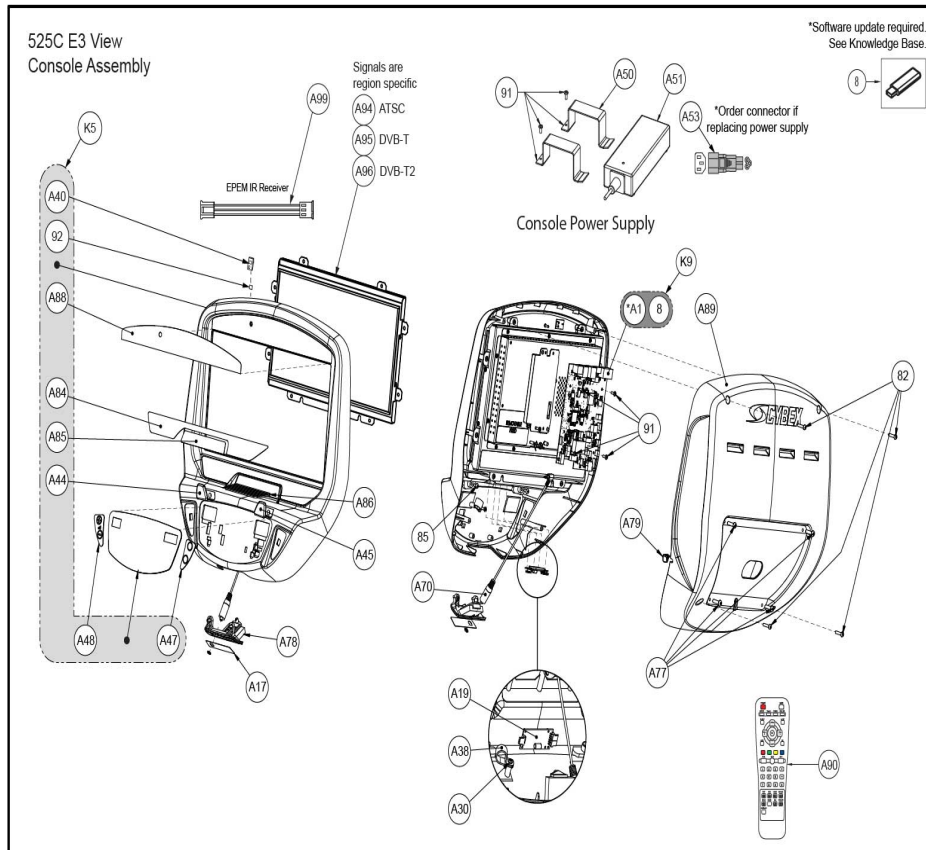
Ref #	Part Number	Qty	Description
8	AX-21327	1	
13	AX-62023	1	ASSY,LEFT CRANK BEARING
14	AX-62031	1	ASSY,RIGHT CRANK BEARING
15	BD-21366	1	BELT,POLY-V,480J8(1222 PJ8)
16	HX-20360	1	INSERT,EXPANSION,PLASTIC,#8-#1
25	FM-19470	1	CRANK,530C R,750C R,RIGHT ARM
26	FM-19471	1	CRANK,530C R,750C R,LEFT ARM
27	FM-19472	1	SHAFT,530C R,750C R,CRANK
30	HN-41157	1	NUT,7-8-24,LH,86A,ZN
33	HS-18294	4	SCREW,SEMS,10-32X.38,SLOT HXHD
37	HS-19467	2	BOLT,M8X1X20,SCHD BTN,BRIGHT C
38	HS-19468	2	BOLT,M8X1X22,SCHD CAP,BRIGHT C
44	HW-18176	1	WASHER,CRANK KEY
45	HW-19469	2	WSHR,FLAT 17.2 X 21.5 X .75,ST
46	HX-19529	1	GRIP RING RETAINING 3/8 in 555
48	HX-21374	1	SPRING,EXTENSION,.75 X .093 X
59	PW-20877	1	PULLEY,PRIMARY,ALUM.
94	AX-17959	2	CRANK ASSY,530C,R
300	AX-21382	1	
301	AX-21383	1	NLA: PEDAL 9/16in THREAD RIGHT
310	KHX-23401	1	PEDAL STRAP LEFT,750C 750R
311	KHX-23402	1	PEDAL STRAP RIGHT,750C 750R

525C_E3_View_hardware_manual_and_power_cords



Ref #	Part Number	Qty	Description
B9	LT-03051	1	SIGN FACILITY SAFETY
B12	AW-14007	1	POWER CORD,115V,60HZ PWR SUPPLY IEC320 (SJT)
B13	WR-14012	1	POWER CORD,230V,10A,CEE 7-7,2M PN: 199-000
B14	AW-20193	1	POWER CORD,250VAC 10A,2.5M IEC
B15	AW-22229	1	POWER CORD,10A,250V IEC 60320
B16	AW-20192	1	POWER CORD,100V,50HZ,2.5M IEC-
B17	AW-24058	1	POWERCORD,250V 10A AUS/NZ
B18	AW-23836	1	CABLE,6' COAX F-TYPE M-M
B19	LT-24303	1	Owner Manual 525CR
B20	LT-24300	1	POSTER,ASSY,525C
B21	LT-24291	1	
B22	LT-24292	1	
B23	AX-21698	1	KIT,INSTALL HARDWARE,750C
B24	LT-24293	1	
B25	AW-25665	1	POWER CORD,10A/250V,2.5m,CHINE
31	HS-15706	1	SCREW,8-16X.50,PNHD,STL,BLK ZN CLR,TYP WB
35	HS-19108	1	SCREW 5-16-18X3-4LG,HXHD,WHIZ-
91	HS-14391	4	SCREW SEMS,6-32X.38 PNHD PHIL
95	TR-22382	1	Power supply
96	FS-21372	1	STRAP,AV PW SUPPLY,750C

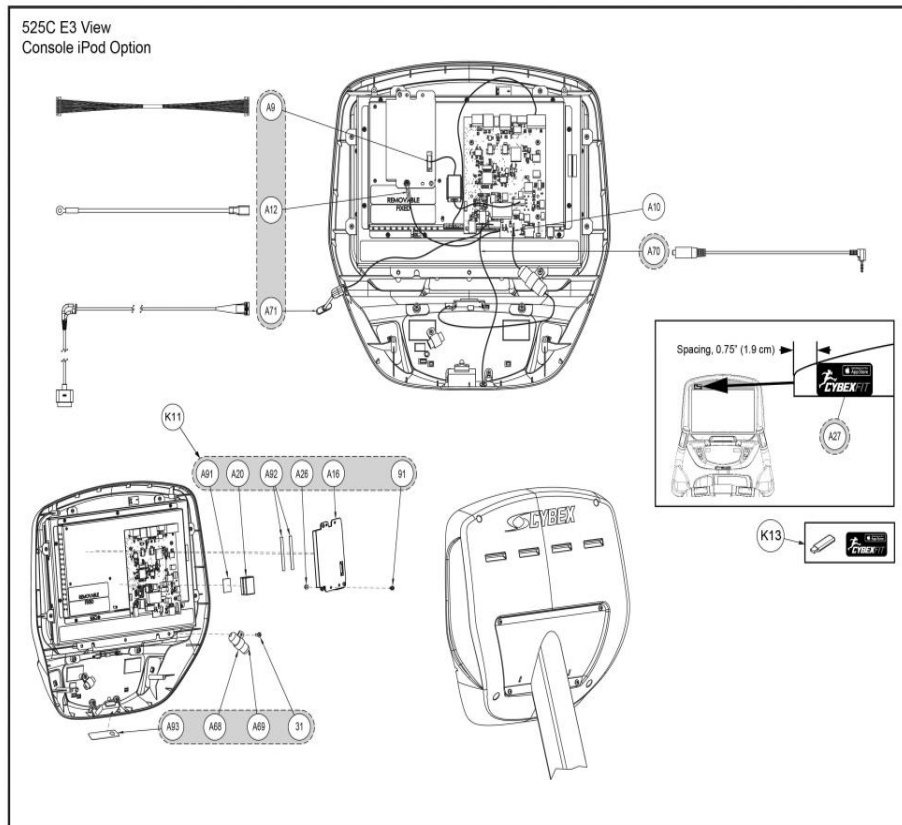
525C_E3_View_Console



Ref #	Part Number	Qty	Description
A1	525AT-407	1	PCA, MCC, UNPROGRAMMED, IPOD, 525AT, C, R
K5	KPL-24621	1	Kit 525CR E3 Bzl w/dec
K8	CP-23199	1	USB 2.0 FLASH DRIVE,BLANK
K9	PKAD-24627	1	KIT,MCC REPLACEMENT 525C/R
A17	525AT-391	1	DECAL, HEADPHONE JACK, 525 ACR
A19	770A-379	1	SENSOR, HEART RATE COMBO
A30	HS-18320	1	SCREW,6-19X1-2 in,PNHD PHIL,ZN
A38	HX-23491	1	CLIP,CABLE CLAMP,9-16in DIA,NY
A40	AD-23465	1	PCA,IR SENSOR,EPDM
A44	770A-328	1	BACK TAB, SMALL CONSOLE, LEFT
A45	770A-329	1	BACK TAB, SMALL CONSOLE, RIGHT
A47	770A-387	1	THUMB SWITCH, RIGHT, RESISTANCE
A48	SW-23713	1	MEMBRANE,THUMB CONTROL,LEFT,RE
A50	FS-21372	2	STRAP,AV PW SUPPLY,750C
A51	TR-25809	1	Power Supply
A53	CN-24913	1	ADAPTER,PLUG,IEC 60320 C14PLUG
A70	525AT-311	1	CABLE, HEADPHONE JACK JMPR
A77	HS-22816	4	SCREW,10-14 X .75,PLASTITE,STL
A78	525AT-322	1	E-STOP HOUSING, 525
A79	525AT-334	1	PLUG, IPOD CABLE OPENING, 525
82	HS-18311	4	SCREW,8-16X.75,PNHD PHIL,STL,B
A84	525AT-314	1	LABEL, WARNING MAIN, 525

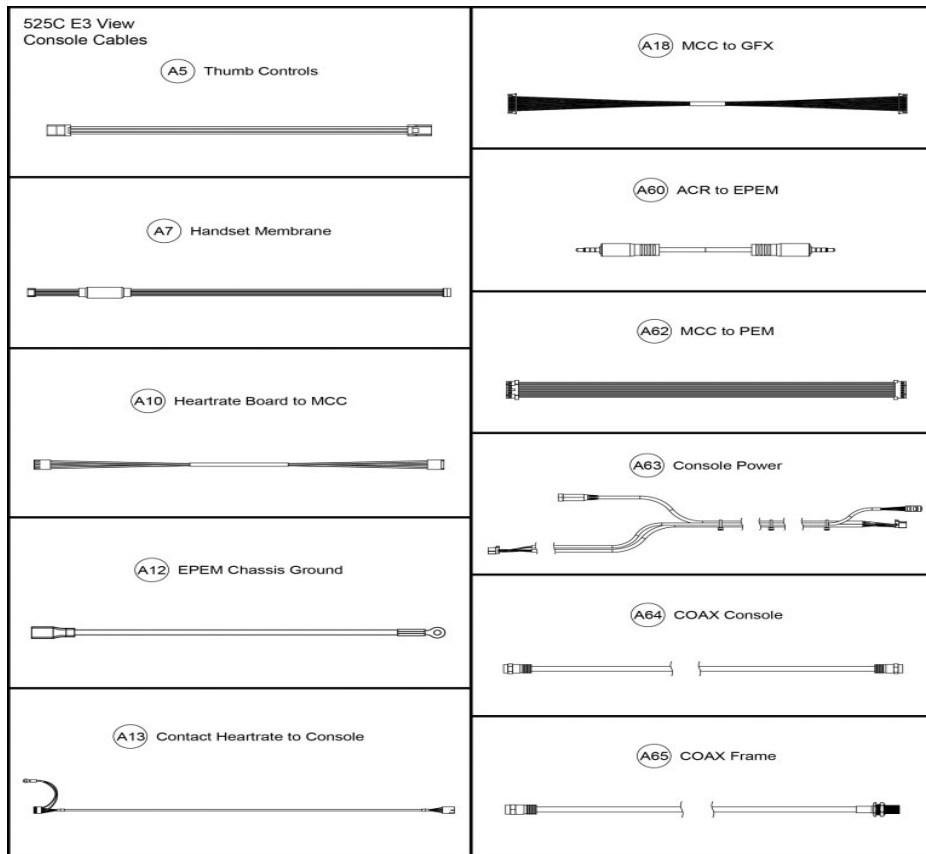
Ref #	Part Number	Qty	Description
85	HS-41187	2	SCREW SLFTP,8-16X.3125,PLASTITE
A85	525AT-313	1	LABEL, WARNING CENTER, 525
A86	525AT-399	1	DECAL, IPOD TRAY
A88	DE-24146-4	1	DECAL,UPPER DISPLAY EPEM,525CR
A89	525AT-321	1	CONSOLE REAR, EPEM, 525
A90	625A-335	1	REMOTE, EPEM, PDI
91	HS-14391	8	SCREW SEMS,6-32X.38 PNHD PHIL
92	HX-24477	1	TAPE,DBL SIDED,VHB, .25X 0.83
A94	PKCP-22564	1	NC KIT,e3 Replacement ATSC
A94	CP-22564	1	NC PEM,OPEN FRAME,ATSC
A95	PKCP-22565	1	KIT,e3 Replacement DVBT
A95	CP-22565	1	PEM,OPEN FRAME,LCD DVBT
A96	CP-25454	1	PEM,OPEN FRAME,DVBT2
A96	PKCP-25810	1	KIT,E3 Replacement DVBT2
A99	AW-23466	1	CABLE,EPEM PDI IR RECEIVER

525C_E3_View_Console_iPod_Option



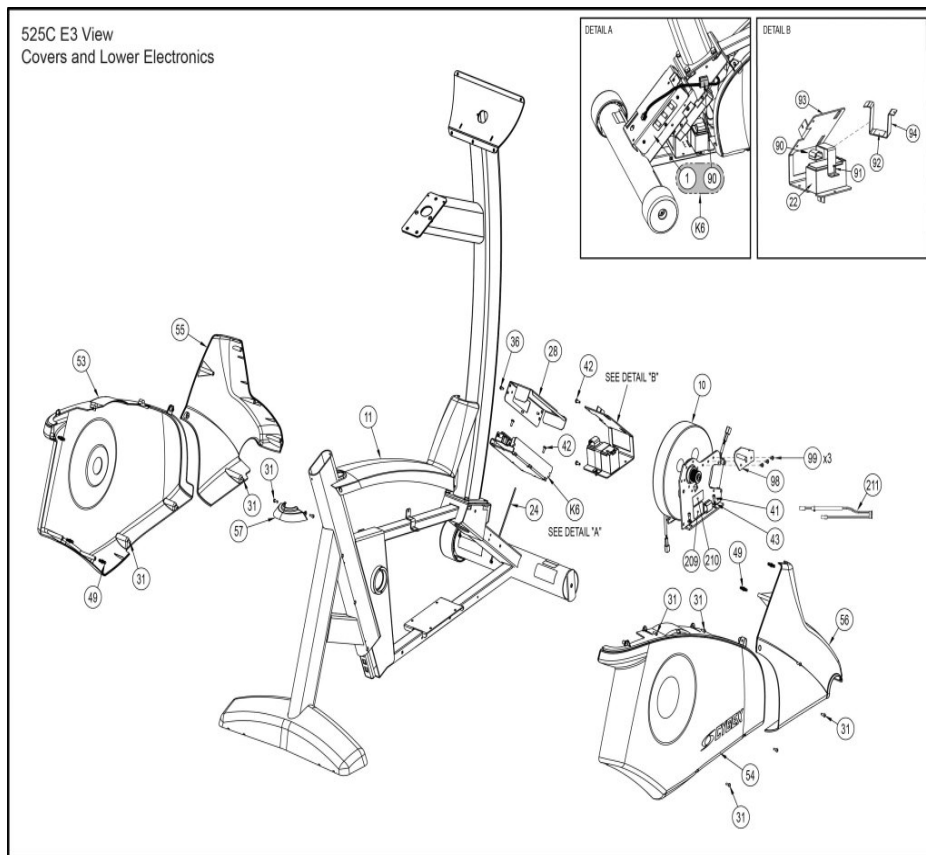
Ref #	Part Number	Qty	Description
A9	770A-363	1	CABLE, 770T 670 GFX BOARD TO MCC
A10	770A-361	1	CABLE, ARC HRBOARD TO MCC
K11	PKCP-24885	1	KIT,APPLE UPGRADE,525TCR
A12	770A-412	1	CABLE, EPEM CHASSIS GROUND
K13	PKCP-24966	1	KIT,CYBEX FIT DECAL
A16	AX-24137	1	ASSY,iPOD PCA,525 625
A20	750A-396	1	Ferrite Clamp-on .40 ID
A26	HN-10705	1	KEPS 6-32 HEX STL ZINC
A27	DE-24397	1	DECAL,CYBEX FIT
31	HS-15706	1	SCREW,8-16X.50,PNHD,STL,BLK ZN CLR,TYP WB
A68	HX-24312	1	CLIP,CABLE CLAMP,3-4"DIA
A69	770A-410	1	FERRITE, 407 OHMS
A70	525AT-311	1	CABLE, HEADPHONE JACK JMPR
A71	OAW-23863V	1	CABLE, IPOD, 525, PURCHASED
A91	HX-17788	1	TAPE,DBL SIDED, .032THK
91	HS-14391	1	SCREW SEMS,6-32X.38 PNHD PHIL
A92	525AT-408	2	TAPE, DBL SIDED, VHB, .25 X 2.5
A93	525AT-391	1	DECAL, HEADPHONE JACK, 525 ACR

525C_E3_View_Console_Cables



Ref #	Part Number	Qty	Description
A5	770A-365	1	CABLE, THUMB CONTROLS
A7	770A-364	1	CABLE, HANDSET MEMBRANE, ARC
A10	770A-361	1	CABLE, ARC HRBOARD TO MCC
A12	770A-412	1	CABLE, EPEM CHASSIS GROUND
A13	AW-23754	1	CABLE, CHR CONSOLE, 625CR 770CR
A18	OAW-24234	1	CABLE, 525 TARC GFX BD TO MCC BD
A60	770A-355	1	CABLE, 770ACR, TO PEM AV
A62	770A-356	1	CABLE, 770ACR, MMC TO PEM AV
A63	AW-23819	1	CABLE, CONSOLE POWER, 770C
A64	AW-23760	1	CABLE, RG59 COAX, 625CR 770CR
A65	AW-23836	1	CABLE, 6' COAX F-TYPE M-M

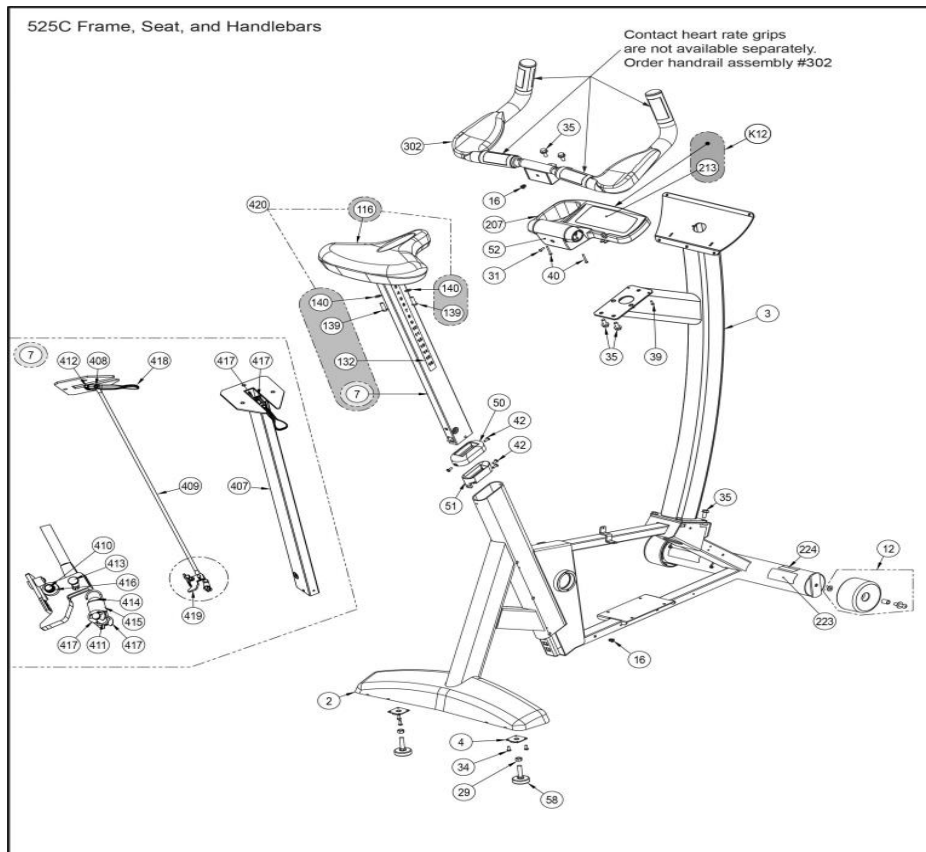
525C_E3_View_Covers_and_lower_electronics_Before_K0222



Ref #	Part Number	Qty	Description
1	AD-21280	1	PCA,LOWER CONTROLLER,625CR 770CR
K6	PKAD-24243	1	KIT,LCB,CYCLES,525 625 770CR
10	PKAX-23376	1	KIT,BRAKE SHIELD IDLER,750C-R
11	AX-21693	1	
22	EC-21351	1	BATTERY,12V/1.2AHR,750C 750R
24	EH-00986	1	TY WRAP,T B TYB-25M 9 in
28	FS-21599	1	COVER,LOWER CONTROLLER,750C 75
31	HS-15706	8	SCREW,8-16X.50,PNHD,STL,BLK ZN CLR,TYP WB
36	HS-11977	1	SCREW SEMS,8-32X.38,PNHD PHIL,EXT,STL,BLK ZN
41	HS-21612	1	SCREW,10-32X7-16,SCHD CAP,SS
42	HS-41006	3	SCREW SLFTP,10-24X.5,PNHD PHIL,410SS,HRDBO,WAX,TT
43	HW-00123	1	WSHR SAE NO.10 STL ZINC
49	HX-21519	3	PIN,PLASTIC RETAINER
53	PL-21579	1	SHROUD,LEFT REAR,750C
54	PL-21580	1	SHROUD,RIGHT REAR,750C
55	PL-21581	1	SHROUD,LEFT FRONT,750C
56	AX-21854	1	
57	PL-21584	1	CAP,TOP REAR,750C
90	HX-14416	1	CLIP,WIRE LATCHING,1X1

Ref #	Part Number	Qty	Description
91	HS-14391	1	SCREW SEMS,6-32X.38 PNHD PHIL
92	HX-17788	1	TAPE,DBL SIDED, .032THK
93	AF-21370	1	BRKT,BATTERY-LOWER CONTOLLER,7
94	FS-21371	1	STRAP,BATTERY,750C
98	AF-21413	1	WELDMENT,IDLER ARM,SUPPORT,525
99	HS-21443	3	SCREW, 10-24 X 3/8 PNHD PHIL,T
209	DE-17219	1	DECAL CAUTION MOVING PARTS- Custom
210	DE-18363	1	Label,Warning Hot Flywhl
211	AW-23973	1	CABLE,625C 770C BRK GEN JUMPER

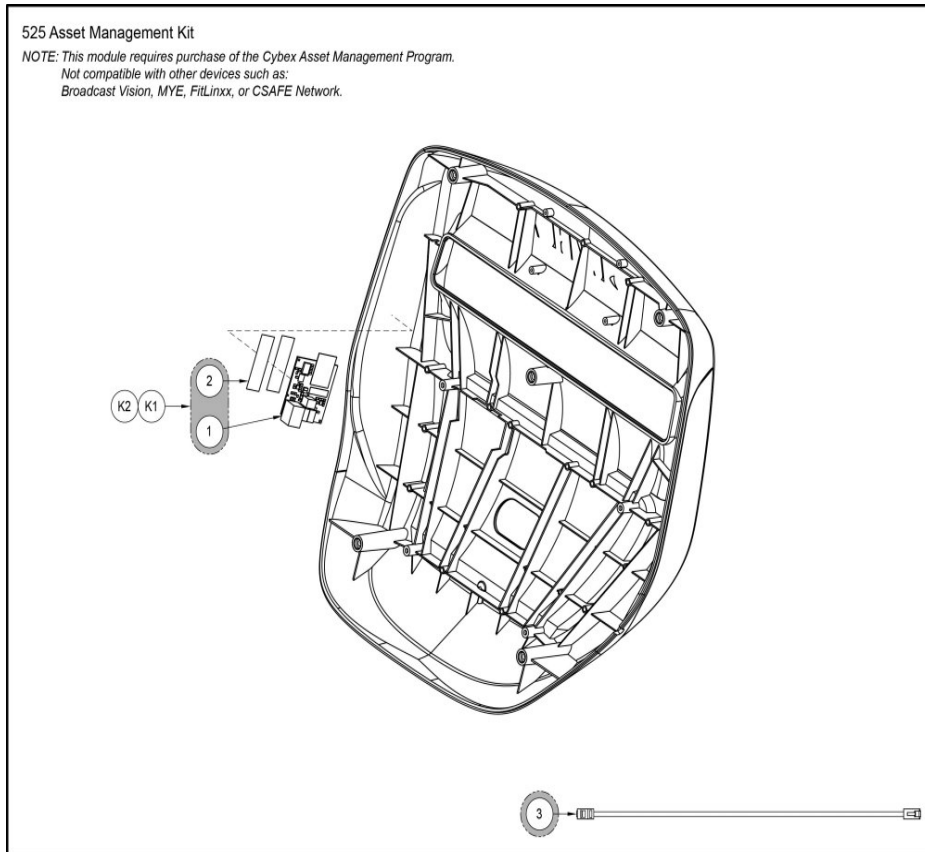
525C_Frame_seat_handlebars



Ref #	Part Number	Qty	Description
2	AF-21135	1	WELDMNT,FRAME,UPRIGHT,750C Custom
3	AF-24223	1	WELDMNT,CONSOLE SUPPORT,525C
4	AF-21506	2	WELDMNT,LEVELER WELDNUT,750C
7	AX-22166	1	ASSY,SEAT POST W-O SEAT
K12	PKAX-24908	1	KIT,ACCY TRAY W/DECAL
12	AX-21732	2	ASSY,WHEEL,750C 750R
16	HX-20360	1	INSERT,EXPANSION,PLASTIC,#8-#1
29	HN-00199	2	NUT 3-8-16 HEX STL ZINC
31	HS-15706	1	SCREW,8-16X.50,PNHD,STL,BLK ZN CLR,TYP WB
34	HS-18497	4	SCREW,10-32X .50,PNHD PHIL,BLK
35	HS-19108	8	SCREW 5-16-18X3-4LG,HXHD,WHIZ-
39	HS-21600	1	SCREW,#6-1/2" PNHD PHIL PLASTI
40	HS-21601	2	SCREW,#6-1 1/4" PNHD PHIL PLAS
42	HS-41006	4	SCREW SLFTP,10-24X.5,PNHD PHIL,410SS,HRDBO,WAX,TT
50	PL-17965	1	GUIDE,SEAT POST,UPPER
51	PL-17966	1	GUIDE,SEAT POST,LOWER
52	PL-21529	1	ACCESSORY TRAY,BOTTOM,750C
58	HX-22203	2	LEVELER,3/8-16 X 1 1/2 STUD W/
116	PD-18232G	1	SEAT BOTTOM,750C GRAY
132	DE-20713	1	LABEL,SEAT POST,530C
139	HS-18298	2	BOLT,5-16-18X .88,BTHD CAP,SS,

Ref #	Part Number	Qty	Description
140	HW-53018	2	WASHER 5-16 SPLIT SS,BLK
213	DE-23739	1	LABEL,WARNING,ACCESS TRAY,625C- Custom
223	DE-21749	1	Decal, Disconnect PWR
224	DE-21763	1	*DECAL,ETL CSA,MEDWAY,750C 750
302	AX-21406	1	ASSY,HANDRAIL,750C
407	AX-21297	1	WELD,SEATPOST,750C BZ
408,409,41 2,418,419, 420	AX-21296	6	ASSY,SEAT POST
410	FM-21490	1	PIN,CLEVIS, SEAT POST PAWL
411	FM-21491	1	PIN,SEAT POST SPRING
413	FM-21502	1	PIN,CLEVIS,PAWL TO ROD
414	HX-21298	1	PLUG,SPRING,RATCHETING SEATPOS
415	HX-21303	1	SPRING,EXTENSION,.5 X .049 X 1
416	HX-21493	1	RETAINING RING,BASIC .6MM EXTE
417	HX-21494	2	RETAINING RING,E-TYPE .250 EXT

525_Asset_Management_Kit_After_J10



Ref #	Part Number	Qty	Description
K1	KU-25238	1	UPGRADE KIT,AWM,IMP, 525 625 7
1	OAD-25136V	1	PCA, ELECT IMP AWN SLDR MOD, US
1	OAD-25138V	1	PCA, ELECT IMP AWN SLDR MOD, EU
K2	KU-25239	1	UPGRADE KIT,AWM,IMP, 525 625 7
2	OHX-25109	1	TAPE, DBL SIDED, VHB, 1.0X.25X.120THK
3	770A-411	1	CABLE, CATSE, 18

